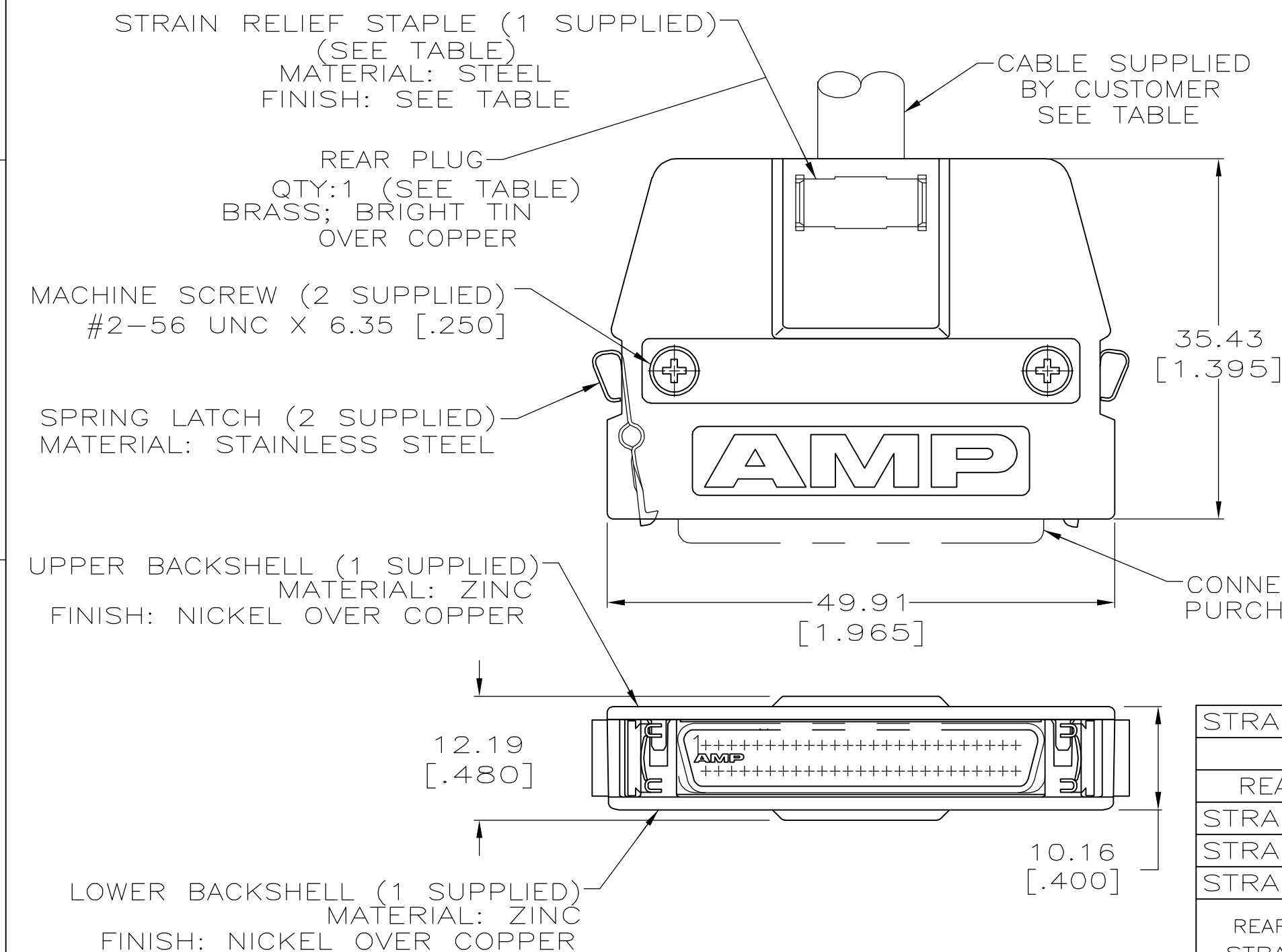


THIS DRAWING IS UNPUBLISHED. RELEASED FOR PUBLICATION
 © COPYRIGHT BY TYCO ELECTRONICS CORPORATION. ALL RIGHTS RESERVED.

LOC	DIST	REVISIONS					
GP	00	P	LTR	DESCRIPTION	DATE	DWN	APVD
			J	REVISED PER ECO-07-006056	15/MAR/07	ZMR	WLM



- ① 9.02[.355] MAX CABLE DIAMETER.
- ② 10.16[.400] MAX CABLE DIAMETER.
- ③ PACKAGED ONE KIT PER BAG.
- ④ BULK PACKAGED.
- ⑤ OBSOLETE PART NUMBER.
- ⑥ BRIGHT TIN-LEAD OVER NICKEL.
- ⑦ BRIGHT TIN OVER NICKEL.
- ⑧ SUPERSEDED BY 5749193-2

STRAIN RELIEF	③	⑦	②	⑧	749193-6	⑤
NONE	③	-	①		749193-5	⑤
REAR PLUG	③	-	①		749193-4	⑤
STRAIN RELIEF	④	⑥	②		749193-3	⑤
STRAIN RELIEF	③	⑥	②		749193-2	
STRAIN RELIEF	③	⑥	①		749193-1	
REAR PLUG OR STRAIN RELIEF STAPLE	PACKAGING	STAPLE FINISH	CABLE DIA	PART NUMBER		

THIS DRAWING IS A CONTROLLED DOCUMENT.		DWN M. A. McCAFFREY 12-20-88	Tyco Electronics Corporation Harrisburg, PA 17105-3608	
DIMENSIONS: mm [INCHES]		CHK M. E. SHIRK 12-20-88		
TOLERANCES UNLESS OTHERWISE SPECIFIED:		APVD C. E. REYNOLDS 12-20-88	NAME KIT, UNASSEMBLED, 50 POSITION, STRAIGHT EXIT, UNKEYED, AMPLIMITE .050 Series	
0 PLC ± - 1 PLC ± - 2 PLC ± - 3 PLC ± 0.38 [.015] 4 PLC ± - ANGLES ± -		PRODUCT SPEC -	DRAWING NO A3 00779 C-749193	
MATERIAL SEE CALLOUTS		FINISH SEE CALLOUTS	WEIGHT -	RESTRICTED TO -
CUSTOMER DRAWING			SCALE 2:1	SHEET 1 OF 1
			REV J	